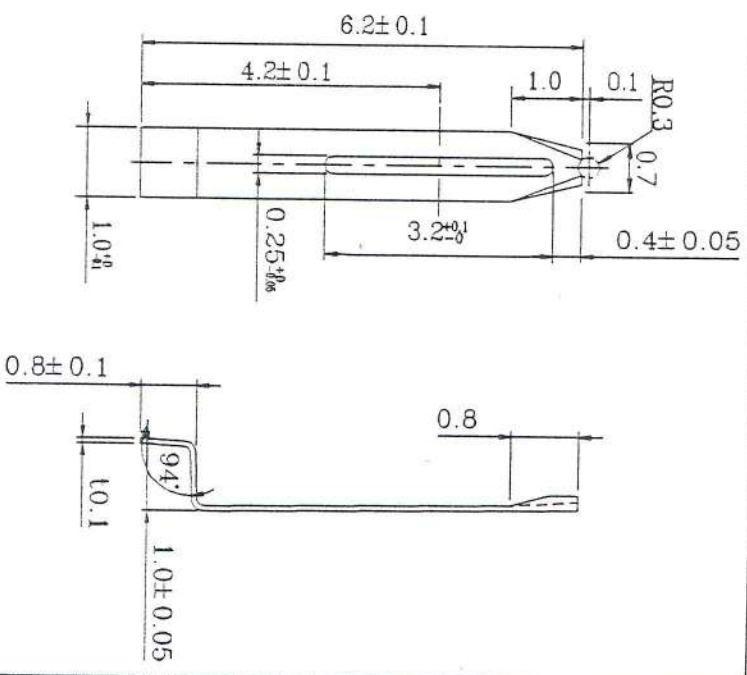


L	DIMENSION
A	13.2mm
B	16mm
C	20mm

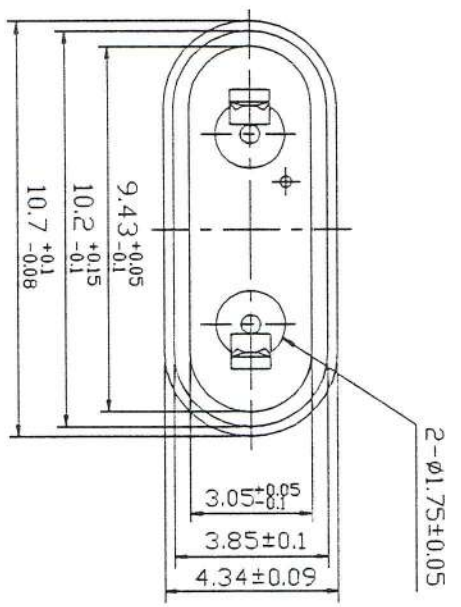
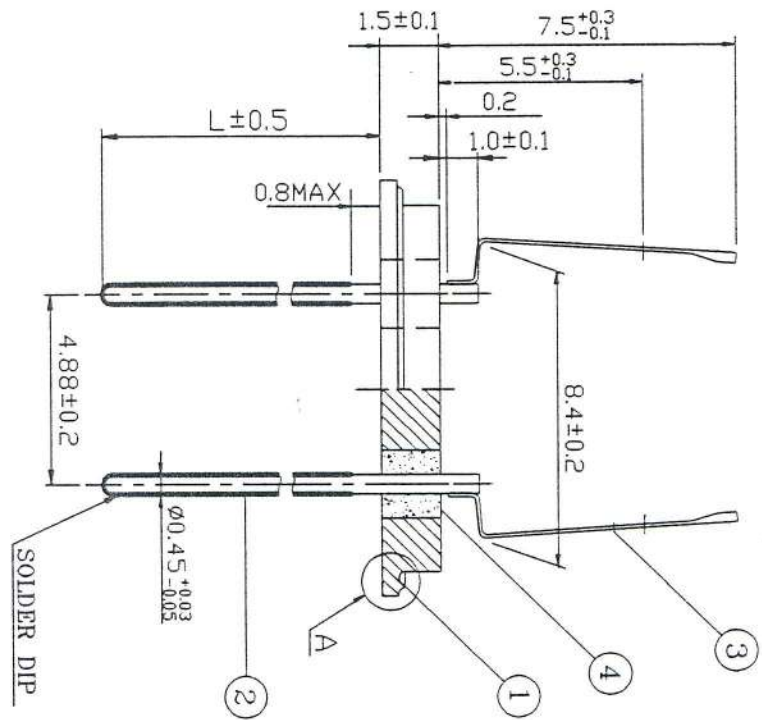
MARK	DATE	REVISION	CHECK
△B			
△C			
△D			



NO	DESCRIPTION	MAT'L	Q'TY	REMARK
1	B A S E	SPCC	1	
2	W I R E	KOVAR	3	
3	P I N	NSS	2	
4	G L A S S	G L A S S	2	

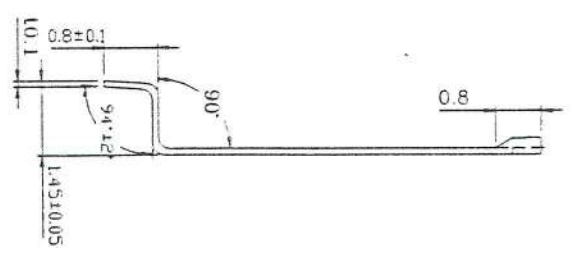
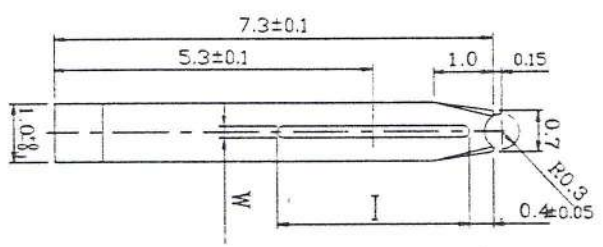
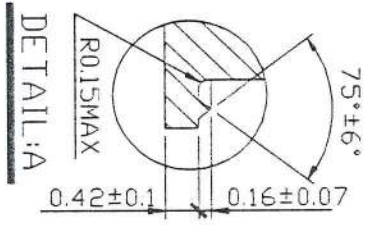
DESIGN	CHECK	APPR	NAME	DWG. NO
			49/U HOLDER φ8.0	KBD-AH-GE801 A
DATE	SCALE	UNIT	FINISH	
96.9.21	/NS	/mm	Electroless (min4 ~ -15μmax)	

경보정밀주식회사



L	DIMENSION
A	13.2mm
B	16mm
C	20mm

L/W DIMENSION	
I	W
3.2 ^{+0.1} ₀	0.25 ^{+0.1} ₀
3.3±0.05	0.4±0.05



MARK	DATE	REVISION	CHECK
△B			
△C			
△D			

NO	DESCRIPTION	UNIT	SCALE	DATE	DESIGN	CHECK	APPR
1	B A S E			96.9.21			
2	W I R E						
3	P I N						
4	G L A S S						

MAT'L	Q'TY	REMARK
GLASS	2	
NSS	2	
KOVAR	2	
SPCC	1	

FINISH Electroless
(min 4.0 - 15.0 μmax)

NAME: 49/U HOLDER Ø8.7

DWG. NO KBD-AH-GE871 A

경보정밀주식회사